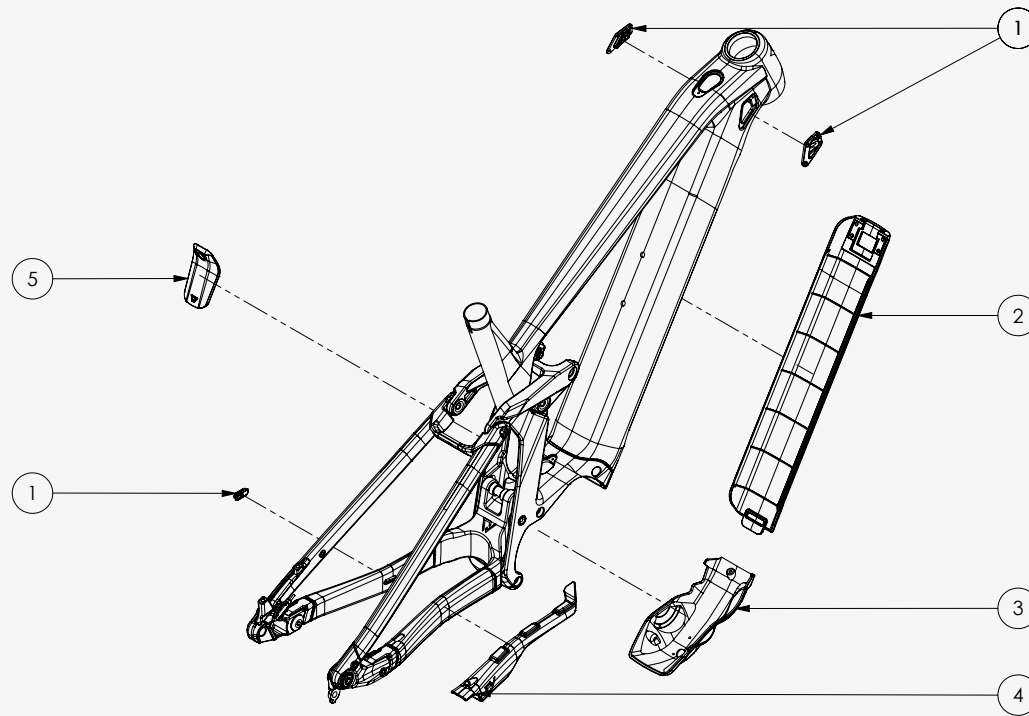




eWME 2021-

POWERTUBE, ALUMINIUM

EXPLODED DRAWING & HARDWARE



Set	Description/ Beschreibung	Art.-Nr.
1	Cableguide set/ Kabelführungsset	0.281.474/7
2	Battery cover/ Akkuabdeckung	0.281.472/1
3	Engine cover/ Motorabdeckung	0.281.473/9
4	Cableguide protector/ Kettenstrebenschutz	0.281.475/4
5	Mudflap/ Spritzschutz Dämpfer	0.281.480/4

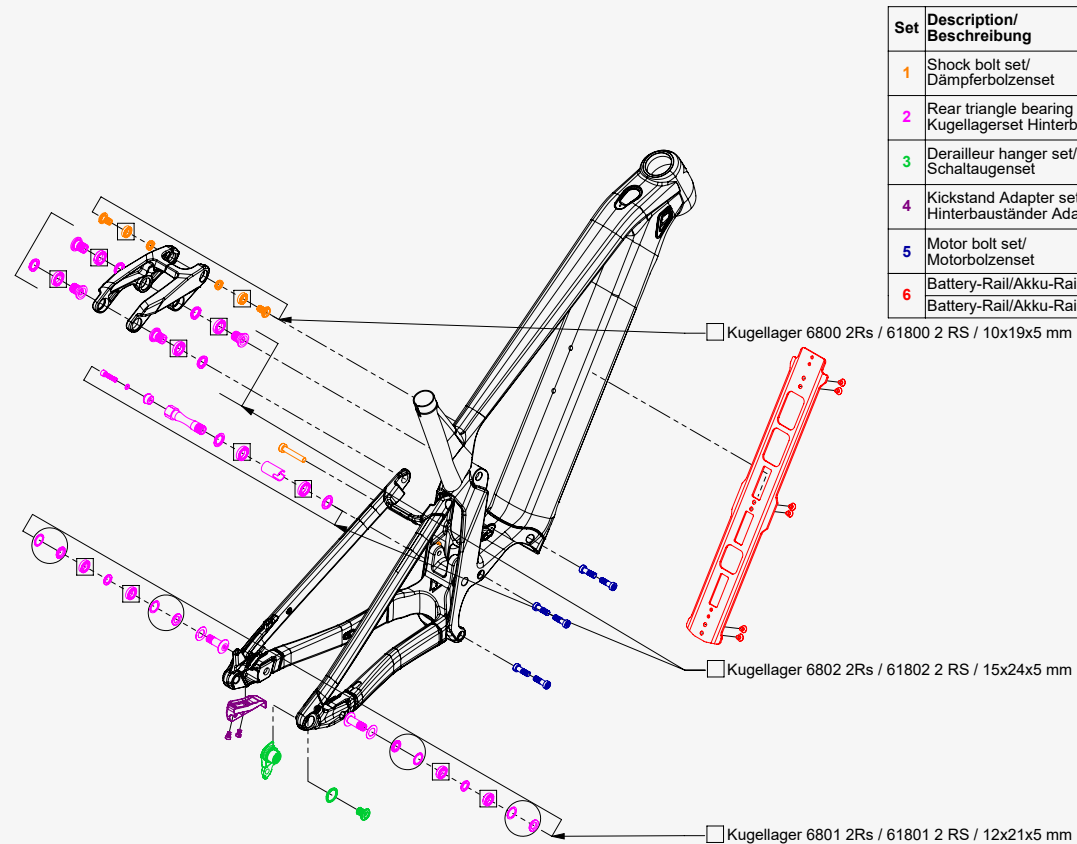
Headset	ZS 44/ 56
Shock dimension	27.5": 230x65 29": 230x57.5
Shock hardware	30x8/ 25x8
Seatpost dia.	31,6
Seatclamp dia.	34,9



eWME 2021-

POWERTUBE, ALUMINIUM

SMALL PARTS



Set	Description/ Beschreibung	Art.-Nr.
1	Shock bolt set/ Dämpferbolzenset	0.281.470/5
2	Rear triangle bearing set/ Kugellagerset Hinterbau	0.281.471/3
3	Derailleur hanger set/ Schaltaugenset	0.347.028/3
4	Kickstand Adapter set/ Hinterbauständer Adapter set	0.281.499/4
5	Motor bolt set/ Motorbolzenset	0.281.476/2
6	Battery-Rail/Akku-Rail (S+M)	0.281.478/8
	Battery-Rail/Akku-Rail (L+XL)	0.281.477/0

Verbinden



eWME 2021-

POWERTUBE, ALUMINIUM

GREASE & TORQUE SCHMIERSTOFFE & DREHMOMENTE

