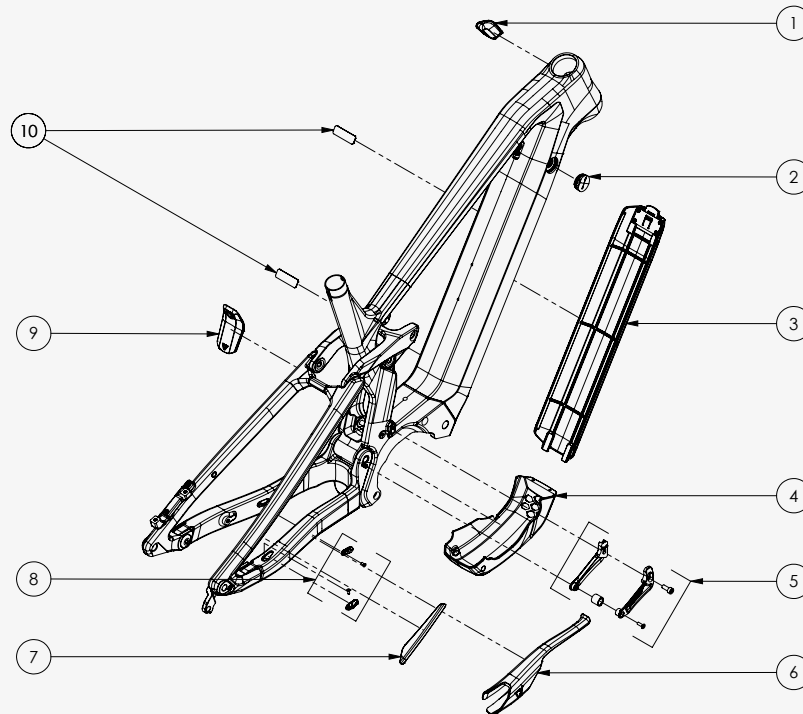




XYRON 2020-

POWERTUBE, CARBON

EXPLODED DRAWING & HARDWARE



Set	Description/ Beschreibung	Art.-Nr.
1	Cableguide headtube/ Kabelführung Steuersatz	0.281.161/0
2	Lock cover/ Schlossklappe	0.281.191/7
3	Battery cover/ Akkuabdeckung	0.281.154/5
4	Engine cover/ Motorabdeckung	0.281.150/3
5	Chain guide/ Kettenführung	0.281.183/4
6	Chainstay protector/ Kettenstrebenschutz	0.281.190/9
7	Seatstay protector/ Sitzstrebenschutz	0.281.189/1
8	Cable guide set/ Kabelführungsset	0.281.193/3
9	Mudflap/ Spritzschutz Dämpfer	0.281.165/1
10	Cable guide downtube/ Kabelführung Unterrohr	0.281.155/2

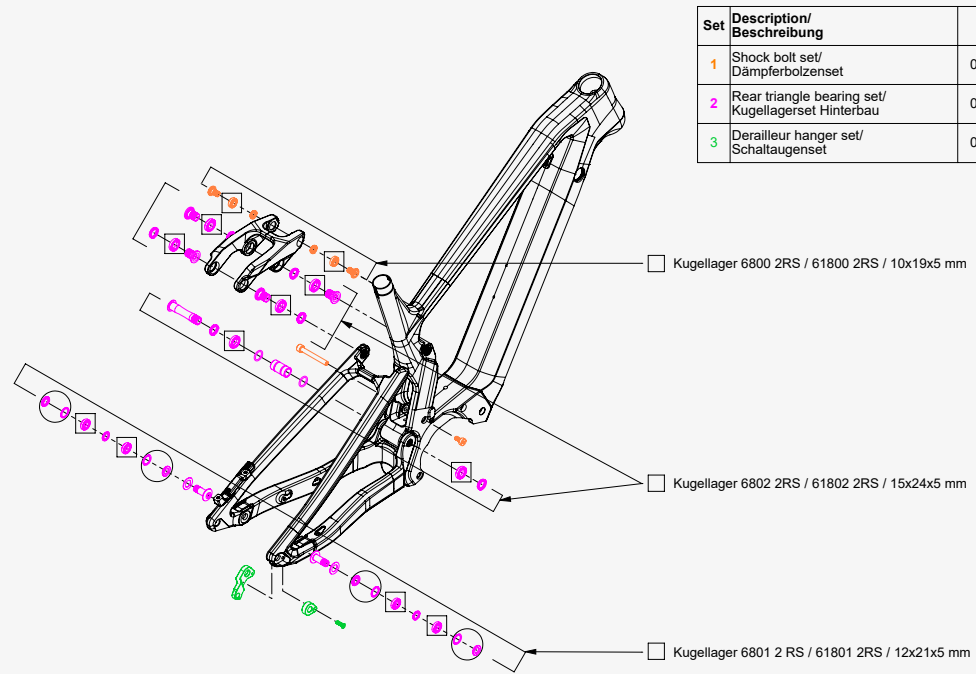
Headset	ZS 44/ 56
Shock dimension	185x52,5
Shock hardware	Trunnion/ 25x8
Seatpost dia.	31,6
Seatclamp dia.	34,9



XYRON 2020-

POWERTUBE, CARBON

SMALL PARTS



Verbinden



XYRON 2020-

POWER-TUBE, CARBON

GREASE & TORQUE
SCHMIERSTOFFE & DREHMOMENTE

